



A-SAFE

Sign Cap

Designed to support operational requirements and traffic management needs.

From Health & Safety notices to directing traffic, the sign cap supports your factory flow and processes. Using universally-recognised signage, it is positioned at the optimum height to be visible to both moving traffic and pedestrians.

The fully-customisable product seamlessly integrates into the A-SAFE product range, providing you with a comprehensive Health & Safety solution.



Compliant to the global benchmark in barrier safety

bsi. PAS 13
Code of Practice for
Workplace Safety
Barriers

Engineered for performance

Ultra-low maintenance material is chemical and water resistant, non-corrosive and non-scratch so no cracking, rusting, flaking or corrosion.

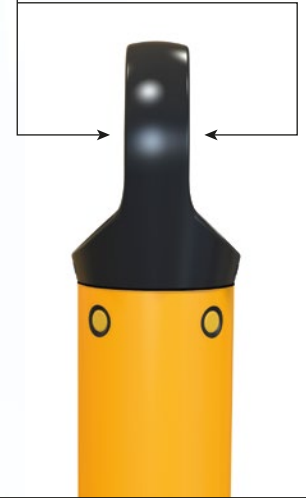
Self coloured and UV stabilised for long lasting aesthetics with no repainting required.

H&S compliance is emphasised ensuring workers and visitors are aware of safety procedures in the required locations.

Compatible sign inserts are available separately to suit your needs.



Double-sided label surface allows the signs to serve dual purposes. Providing specific messages depending on the direction of approach.



Suitable for internal and external use.



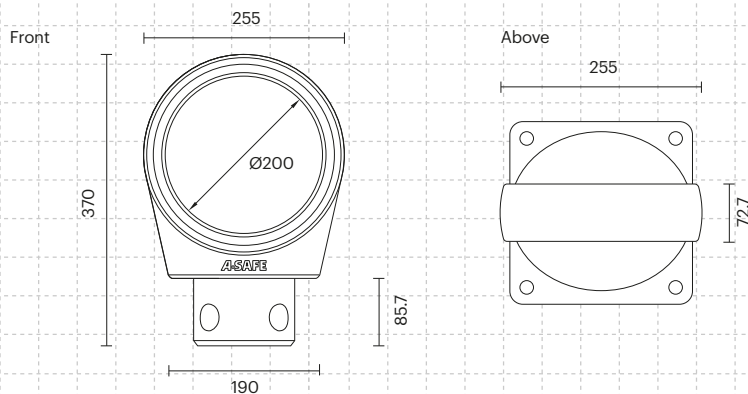
Technical Information

Material Properties	
Temperature Range	-20°C to 50°C
Ignition Temperature	330°C to 410°C
Flash Point	341°C
Toxicity	Not Toxic
Chemical Resistance	Excellent - ISO/TR 10358
Weathering Stability (Grey Scale)	5/5*
Light Stability (Blue Wool Scale)	7/8**
Static Rating (Surface Resistivity)	Insulator (1 x 10 ¹¹ Ω/SQ)
Hygiene Seals	No

* Weathering scale 1 is very poor and 5 is excellent

** Light stability scale 1 is very poor and 8 is excellent

Dimensions (mm)



Colour



*Please note that the RAL and PANTONE colours listed are the closest match to standard A-SAFE colours, but may not be exact matches of the actual product colour and should be used for guidance only.